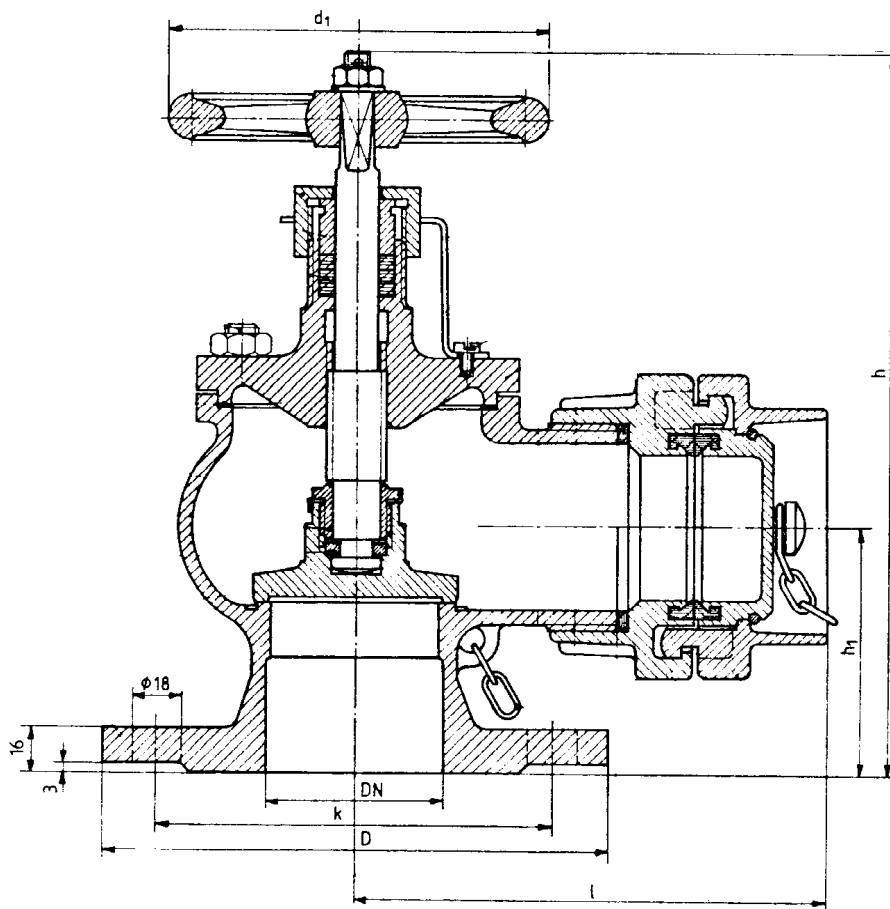


NOMINAL PRESSURE NP	TESTING PRESSURE bar	
	BODY	CLOSING
16	25	16



NOMINAL DIAMETAR DN	D	k	n .	d <sub>1</sub>	l ≈	h	h <sub>1</sub>
50	165	125	4	140	143	228	75
65	185	145	4	160	167	265	90

Connection: STORTZ or UNI

Material: Bronze