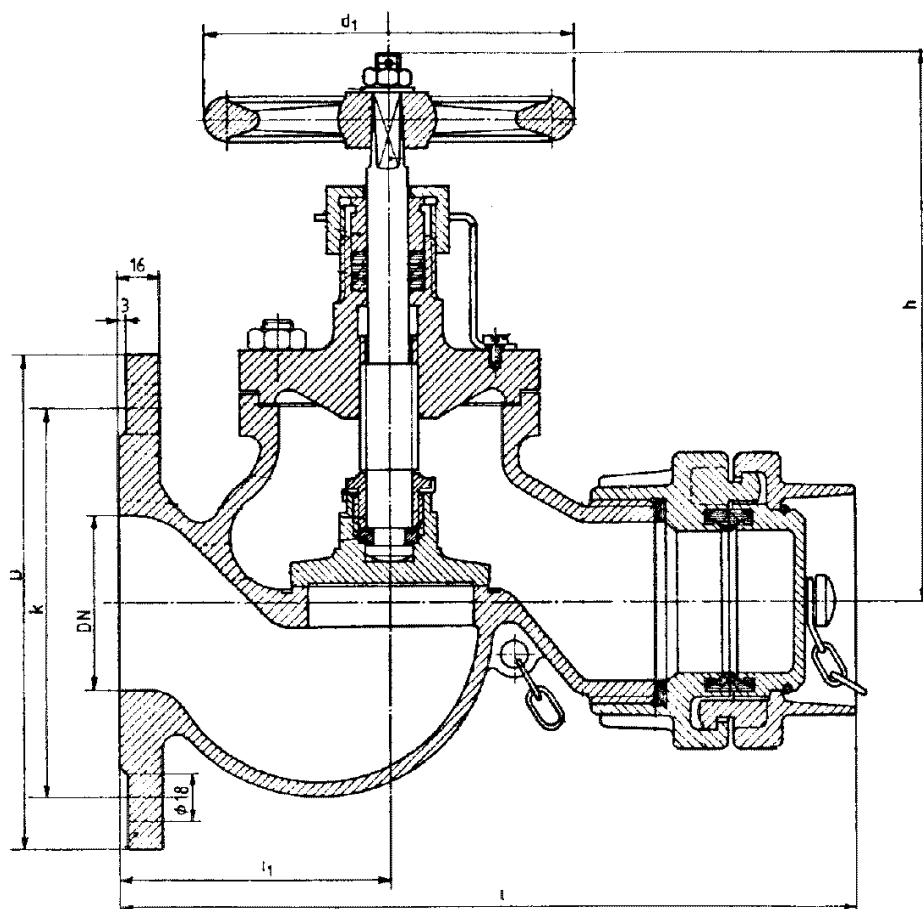


NOMINAL PRESSURE NP	TESTING PRESSURE bar	
	BODY	CLOSING
16	25	16



NOMINAL DIAMETAR DN	D	k	n .	d ₁	l ≈	l ₁	h
50	165	125	4	140	233	85	172
65	185	145	4	160	272	105	208

Connection: STORTZ or UNI

Material: Bronze