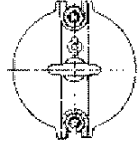
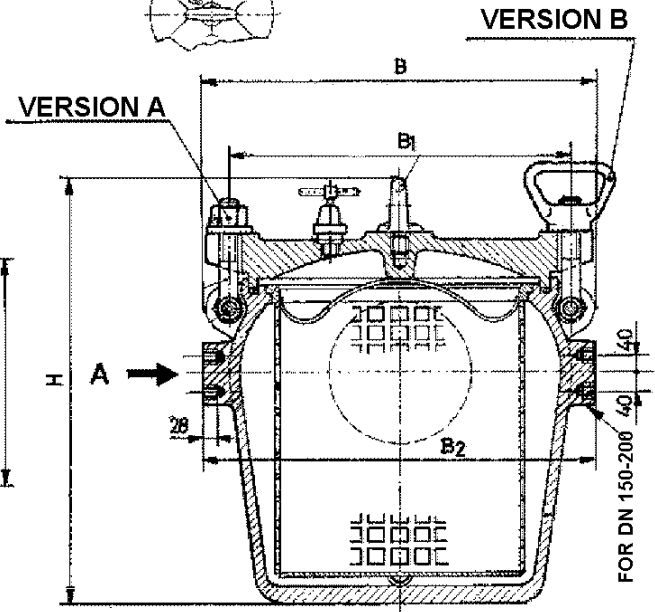
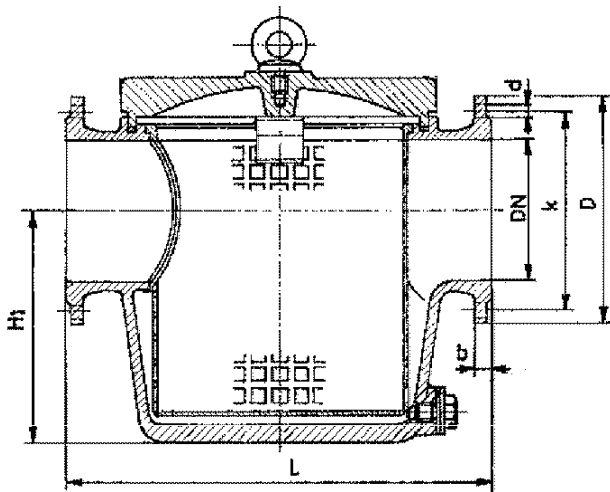
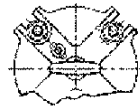


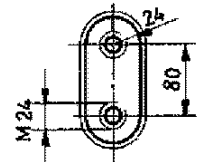
COVER FOR DN 40-80



COVER FOR DN 100-200



VIEW A



NOMINAL DIAMETAR DN	D	b	k	d	n.	B	B <sub>2</sub>	H ≈	H <sub>1</sub>	L	Surfaces ratio
40	130	16	100	14	4	202	-	202	95	200	8:1
50	140	16	110	14	4	242	-	224	106	230	7:1
65	160	16	130	14	4	268	-	263	134	290	7:1
80	190	18	150	18	4	296	-	299	156	310	7:1
100	210	18	170	18	4	326	-	339	185	350	6,5:1
125	240	20	200	18	8	394	-	416	229	400	6,5:1
150	265	20	225	18	8	442	439	468	268	480	6,5:1
175	295	22	255	18	8	512	499	528	296	550	6:1
200	320	22	280	18	8	558	560	580	335	600	6:1

Material: GG 25 or bronze