

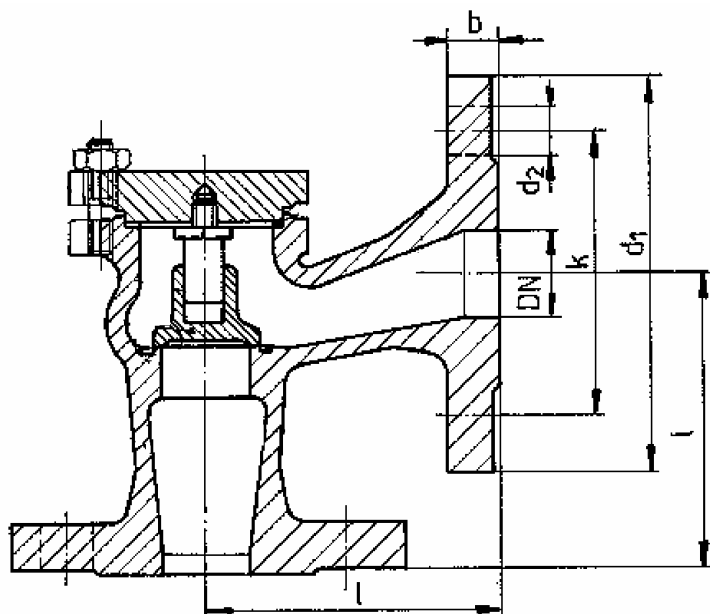
SOMET

R I J E K A

ANGLE VALVE, NON-RETURN

Type 2682 (NP 6)

Type 2688 (NP 16)



NOMINAL DIAMETAR DN	MAX. WORK PRESSURE for NP 6 (bar)	
	< 120 °C	120 °C – 180 °C
15 – 200	6	5

NOMINAL DIAMETAR DN	MAX. WORK PRESSURE for NP 16 (bar)	
	< 120 °C	120 °C – 180 °C
15 – 175	16	10
200	10	6

VERSION B – body: cast iron; internal parts: stainless steel

VERSION C – body: cast iron; internal parts: brass or bronze

VERSION D – body: bronze; internal parts: brass or bronze

VERSION H – body: GGG 40; internal parts: brass or bronze

VERSION K – body: GGG 40; internal parts: stainless steel

NP 6

NOMINAL DIAMETAR DN	d ₁	b VERSION		k	d ₂	n.	l
		B, C, H i K	D				
15	80	12	10	55	11	4	90
20	90	14	12	65			95
25	100			75			100
32	120	16	14	90	14	4	105
40	130			100			115
50	140			110			125
65	160	18	16	130	18	8	145
80	190			150			155
100	210			170			175
125	240	20	18	200	18	8	200
150	265			225			225
175	295			255			250
200	320	22	20	280			275

NP 16

NOMINAL DIAMETAR DN	d ₁	b VERSION		k	d ₂	n.	l
		B, C, H i K	D				
15	95	14	12	65	14	4	90
20	105	16		75			95
25	115			85			100
32	140	18	14	100	18	4	105
40	150			110			115
50	165			125			125
65	185	20	16	145	18	8	145
80	200			160			155
100	220			180			175
125	250	26	20	210	22	8	200
150	285			240			225
175	315			270			250
200	340	30	24	295	22	12	275